

LIFTING CAPACITY

MHL 331 (reach 10.5 m/34.4").
• Work equipment: box-type boom 6.0 m/19.7", multi function stick 4.0 m/13.1".

Height in m	Undercarriage stabilizers	Reach in m					
		3	4.5	6	7.5	9	10.5
10.5	non supported						
	4-pt. supported						
9	non supported			(5.1)			
	4-pt. supported			5.8* (5.8*)			
7.5	non supported			(5.1)	(3.6)		
	4-pt. supported			5.7* (5.7*)	5.5* (5.5*)		
6	non supported			(5.0)	(3.5)	(2.6)	
	4-pt. supported			6.1* (6.0*)	5.4 (5.5*)	4.0 (5.2*)	
4.5	non supported		(7.4)	(4.8)	(3.4)	(2.6)	
	4-pt. supported		8.0* (8.0*)	6.8* (6.8*)	5.3 (6.1*)	4.0 (5.4)	
3	non supported		(6.9)	(4.5)	(3.3)	(2.5)	
	4-pt. supported		10.2* (10.2*)	7.2 (7.9*)	5.1 (6.6*)	3.9 (5.3)	
1.5	non supported		(6.4)	(4.3)	(3.1)	(2.4)	
	4-pt. supported		10.9 (12.5*)	6.9 (9.0*)	5.0 (6.8)	3.8 (5.2)	
0	non supported		(6.0)	(4.1)	(3.0)	(2.4)	
	4-pt. supported		10.4 (10.6*)	6.7 (9.5)	4.8 (6.7)	3.7 (5.1)	
-1.5	non supported			(4.0)	(3.0)		
	4-pt. supported			6.5 (9.3)	4.8 (6.6)		
-3	non supported						
	4-pt. supported						

Height in ft.	Undercarriage stabilizers	Reach in ft.					
		10	15	20	25	30	35
35	non supported						
	4-pt. supported						
30	non supported			(11,200)			
	4-pt. supported			12,700* (12,700*)			
25	non supported			(11,200)	(7,800)		
	4-pt. supported			12,500* (12,500*)	12,000* (12,000*)		
20	non supported			(10,900)	(7,600)	(5,600)	
	4-pt. supported			13,400* (13,100*)	11,800 (12,000*)	8,700 (11,400*)	
15	non supported		(16,200)	(10,500)	(7,400)	(5,600)	
	4-pt. supported		17,500 (17,500*)	14,900* (14,900*)	11,600 (13,400*)	8,700 (11,800)	
10	non supported		(15,100)	(9,800)	(7,200)	(5,400)	
	4-pt. supported		22,400* (22,400*)	15,800 (17,300*)	11,200 (14,500*)	8,500 (11,600)	
5	non supported		(14,000)	(9,400)	(6,800)	(5,200)	
	4-pt. supported		23,900 (27,500*)	15,100 (19,800*)	10,900 (14,900)	8,300 (11,400)	
0	non supported		(13,100)	(8,900)	(6,500)	(5,200)	
	4-pt. supported		22,800 (23,300*)	14,700 (20,800)	10,500 (14,700)	8,100 (11,200)	
-5	non supported			(8,700)	(6,500)		
	4-pt. supported			14,200 (20,400)	10,500 (14,500)		
-10	non supported						
	4-pt. supported						

Values are valid for working diagram on page 2.

REMARKS

The values are stated in tons (t) or lbs. The pump pressure for this table is 360 bar (5220 psi). The values amount to 75 % of the static tipping load or 87 % of the hydraulic lifting force (marked *), in accordance with ISO 10567. When the machine is standing on solid and level ground, these values apply to slewing operations through 360°. The values in brackets apply in the lengthwise direction of the undercarriage. The values specified "non-supported" only apply when the load is hoisted

above the front or rear axle. The weight of the attached load hoisting implement (grab, magnet, load hook, etc.) must be deducted from the carrying capacity values. If the FUCHS-TEREX quick-attach system is mounted on the boom, carrying capacity values are reduced by 300 kg (661lbs). In accordance with EC guidelines, hose-rupture safety valves on the lift cylinders and an overload warning device are required for load hook operations.

CAB

- Hydraulically height-adjustable cab with max. eye level of 5.1 m (16.7"), human-engineered, functional design and excellent all-round visibility.
- Air-cushioned comfort seat with pneumatically adjustable lumbar support, safety belt and headrest; seat heating available on request.
- The seat meets EC-safety and health requirements (Directive 89/392/EEC, Paragraph 3.2.2).
- Seat position, seat inclination and seat cushion multi-adjustable in line with position of armrests and pilot control units, allowing fatigue-free operations.
- 3-speed fan for hot water heating, 4 adjustable defroster nozzles.
- Up and over type front windshield, with pull-down sunblind; lift-up skylight on cab roof.
- Air conditioning as standard.
- Option: Cab with bullet-proofed glas.

OFFICIAL HOMOLOGATION

- Certification according to CE-regulations.

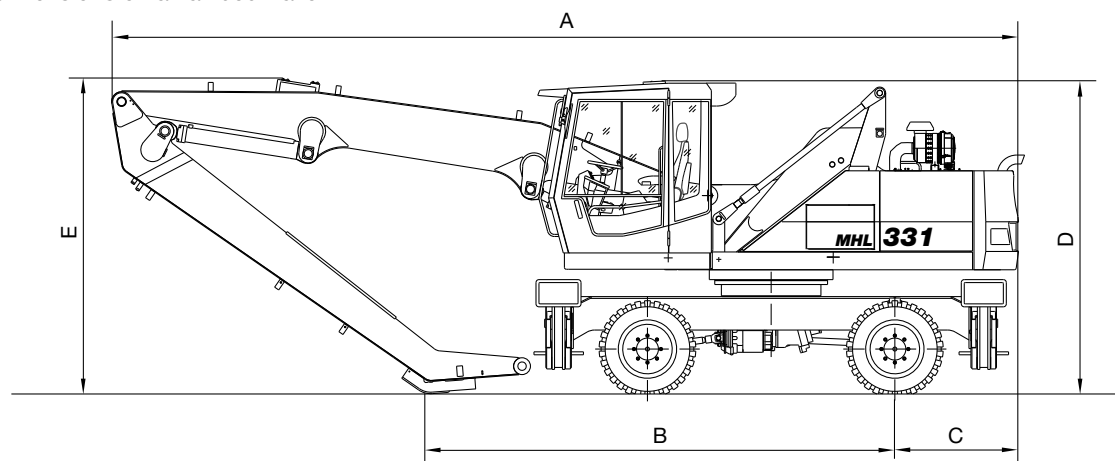
SAFETY EQUIPMENT

- Required when machine is used for load hook operations in compliance with EN 474-5. Protection of cab ensured by work equipment operating range limit.

TRANSPORT DIMENSIONS

Dimension mm/in.	Reach 10.5 m/34.4" (with multi function stick 4.0 m/13.1")	Reach 11.0 m/36.1" (with dipperstick 4.85 m/15.9")
A	9.250/364"	9.180/361"
B	4.520/178"	4.700/185"
C	1.250/ 49"	1.250/49"
D	3.160/124"	3.160/124"
E	2.800/110"	3.200/126"

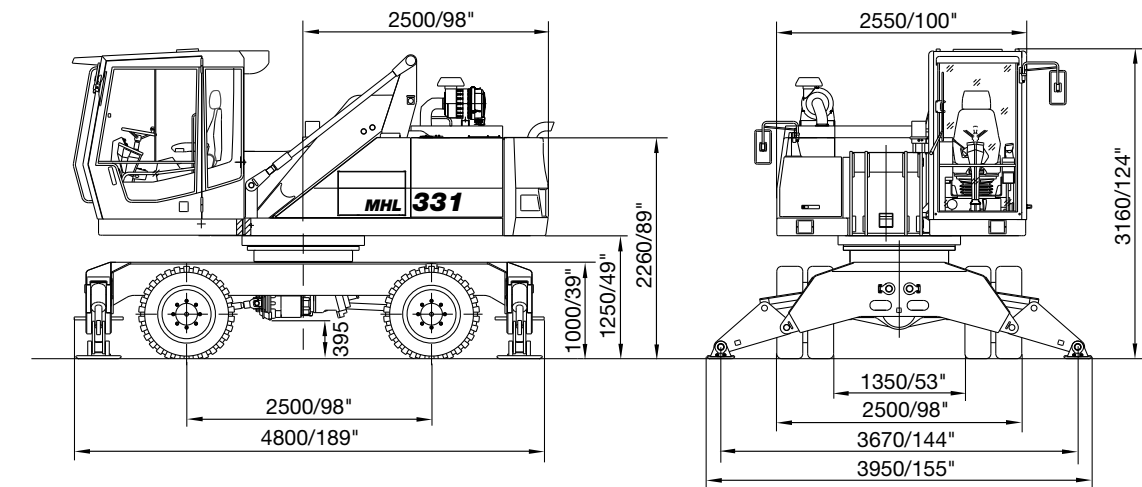
Transport dimensions on a flat-bed trailer



Fuchs-Bagger GmbH & Co. KG
Maschinenfabrik
Industriestraße 3
D-76669 Bad Schönborn
Germany

Phone: ++49 (0) 72 53 / 84-0
Fax: ++49 (0) 72 53 / 8 41 11
www.fuchs-terex.de
info@fuchs-terex.de

MHL 331 valid from machine no. 583_06.2004-GB/US (2) Printed in Germany
Subject to change without notice. The data contained in this brochure may differ from the equipment supplied as standard.



DIESEL ENGINE

Manufacturer & type	Deutz-BF6M 2012 C
Design	6-cylinder, turbocharged
Engine output	99 kW (133 HP)
Nominal speed	2,000 rpm
Displacement	6.1 l (372 cb in)
Cooling system	Water and charge air cooling (temperature controlled fan speed)
Emission standards	COM II/TIER II
Air filter design	Two-stage filter with safety valve.
Fuel tank	250 l (66 US gal)

SWING SYSTEM

Ring gear	Internally toothed ring gear.
Drive	Multi-stage planetary gear with integrated multi-disc brake.
Uppercarriage swing speed	0 - 7 rpm

UNDERCARRIAGE

- Front axle: Rigidly mounted steering axle for safe transport of loads, max. steering angle 30°.
- Rear axle: Oscillating axle in planetary gear design with multi-disc brake and oscillating axle lock.

Stabilizers	4-point stabilizers
Tires	Solid rubber, elastic tires 8-fold 9.00 - 20

BRAKES

Service brake	Hydraulically controlled braking system acting on all four wheel pairs.
Parking brake	Hydraul. controlled single-circuit. braking system acting on the 2-speed transmission.

ELECTRICAL SYSTEM

Operating voltage	24 V
Batteries	2 x 12 V / 100 Ah
Lighting	2 uppercarriage-mounted headlamps, 1 dipperstick-mounted working floodlight.
Option	Generator system 11/13 kW

TRAVEL DRIVE

- Hydrostatic drive using infinitely variable axial piston motor; travel brake valve mounted on travel motor providing wear-free braking.

Travel speed	0 - 20 km/h (12 mp/h)
Turning radius	7.0 m (23')

OPERATING WEIGHTS

Basic machine including work equipment (including 0.6 m³/0.8 yd³ cactus grab and generator system)	
Reach 10.5 m (34.4")	22,500 kg (49,600 lbs)
Reach 11.0 m (36.1")	22,500 kg (49,600 lbs)

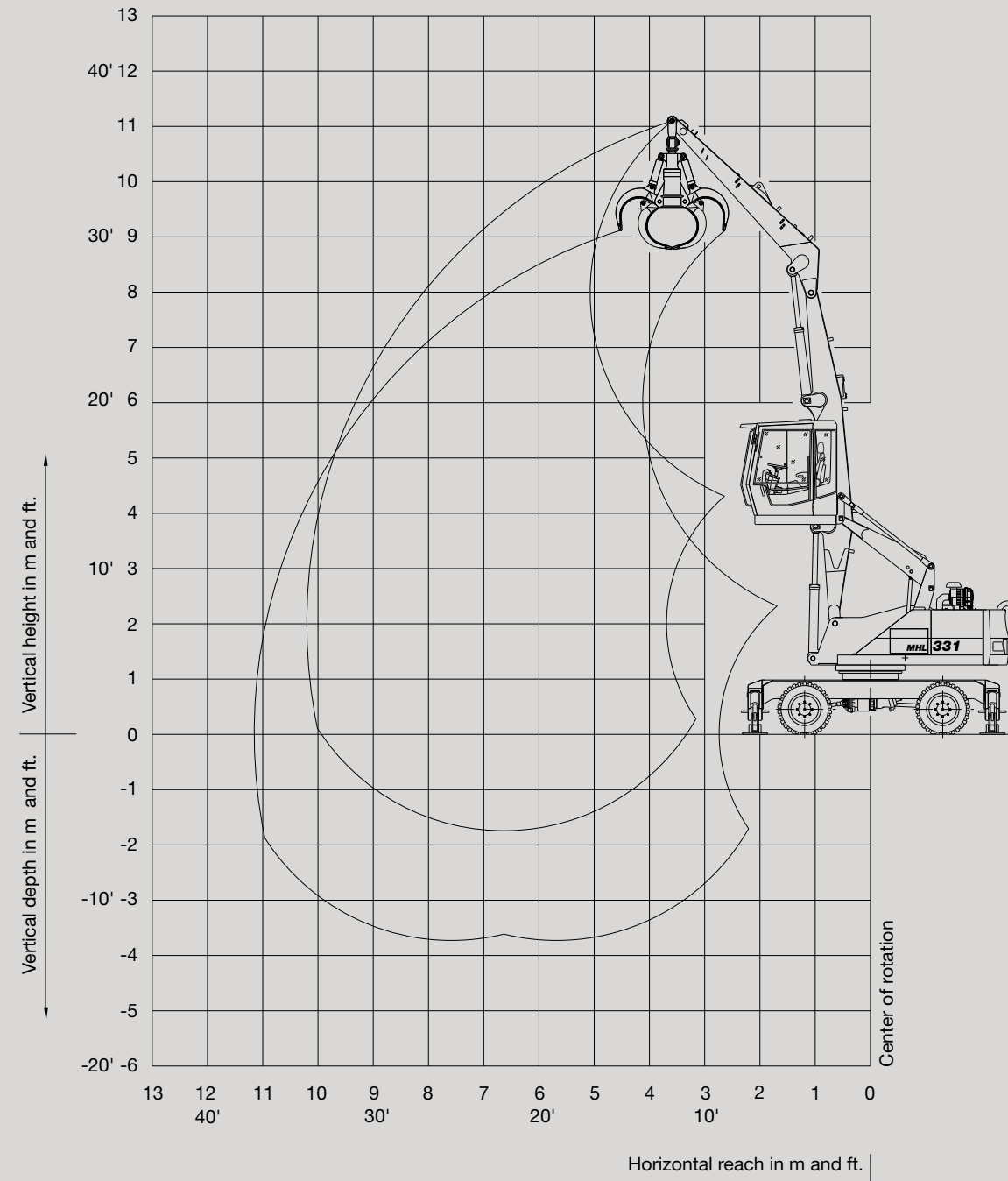
HYDRAULIC SYSTEM

- Dual-circuit hydraulic system with load-sensing control for optimal use of the available engine output.
- Separate oil cooler with large cooling surface, temperature controlled revolutions of fan.
- Hydraulic oil filter: Filter element incorporated in oil tank.
- Central greasing system as standard.
- Option: Computer controlled management system.

Max. pump capacity	320 l/min. (at 2,000 rpm) (84 US gal/min)
Max. operating pressure	360 bar (5220 psi)
Max. pump capacity (swing circuit)	95 l/min. (26 US gal/min)
Max. operating pressure	210 bar (5220 psi)
Hydraulic oil tank	300 l (79 US gal)

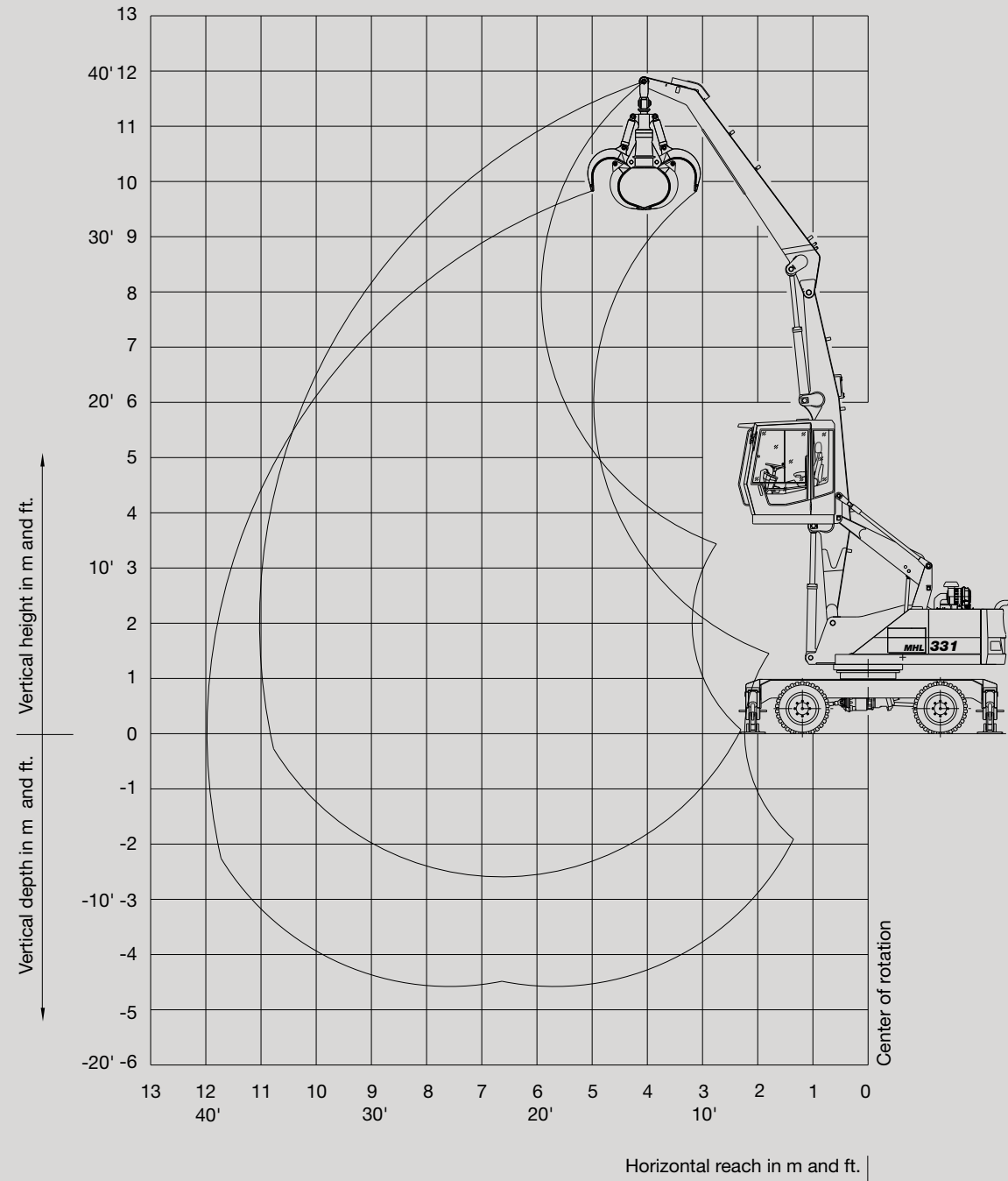
WORKING DIAGRAM

MHL 331 (reach 10.5 m/34.4").
 • Work equipment: box-type boom 6.0 m/19.7", multi function stick 4.0 m/13.1".



WORKING DIAGRAM

MHL 331 (reach 11.0 m/36.1").
 • Work equipment: box-type boom 6.0 m/19.7", dipperstick 4.85 m/15.9".



LIFTING CAPACITY

MHL 331 (reach 11.0 m/36.1").
 • Work equipment: box-type boom 6.0 m/19.7", dipperstick 4.85 m/15.9".

Height in m	Undercarriage stabilizers	Reach in m					
		3	4.5	6	7.5	9	10.5
10.5	non supported			(4.9)			
	4-pt. supported			5.7* (5.7")			
9	non supported			(5.1)	(3.5)		
	4-pt. supported			5.8* (5.8")	5.4 (5.5")		
7.5	non supported			(5.1)	(3.6)	(2.6)	
	4-pt. supported			5.7* (5.7")	5.5* (5.5")	4.1 (4.9")	
6	non supported			(5.0)	(3.5)	(2.6)	
	4-pt. supported			6.1* (6.0")	5.4 (5.5")	4.0 (5.2")	
4.5	non supported		(7.4)	(4.8)	(3.4)	(2.6)	(2.0)
	4-pt. supported		8.0* (8.0")	6.8* (6.8")	5.3 (6.1")	4.0 (5.4)	3.1 (4.2)
3	non supported	(13.1)	(6.9)	(4.5)	(3.3)	(2.5)	(2.0)
	4-pt. supported	15.7* (15.7")	10.2* (10.2")	7.2 (7.9")	5.1 (6.6")	3.9 (5.3)	3.1 (4.2)
1.5	non supported		(6.4)	(4.3)	(3.1)	(2.4)	(1.9)
	4-pt. supported		10.9 (12.5")	6.9 (9.0")	5.0 (6.8)	3.8 (5.2)	3.1 (4.1)
0	non supported		(6.0)	(4.1)	(3.0)	(2.4)	(1.9)
	4-pt. supported		10.4 (10.6")	6.7 (9.5)	4.8 (6.7)	3.7 (5.1)	3.0 (4.1)
-1.5	non supported		(5.8)	(4.0)	(3.0)	(2.3)	
	4-pt. supported		9.0* (9.0")	6.5 (9.3)	4.8 (6.6)	3.7 (5.1)	
-3	non supported						
	4-pt. supported						

Height in ft.	Undercarriage stabilizers	Reach in ft.					
		10	15	20	25	30	35
35	non supported			(10,700)			
	4-pt. supported			12,500* (12,500*)			
30	non supported			(11,200)	(7,600)		
	4-pt. supported			12,700* (12,700*)	11,800 (12,000*)		
25	non supported			(11,200)	(7,800)	(5,600)	
	4-pt. supported			12,500* (12,500*)	12,000* (12,000*)	8,900 (10,700*)	
20	non supported			(10,900)	(7,600)	(5,600)	
	4-pt. supported			13,400* (13,100*)	11,800 (12,000*)	8,700 (11,400*)	
15	non supported		(16,200)	(10,500)	(7,400)	(5,600)	(4,300)
	4-pt. supported		17,500 (17,500*)	14,900* (14,900*)	11,600 (13,400*)	8,700 (11,800)	6,700 (9,200)
10	non supported		(28,800)	(9,800)	(7,200)	(5,400)	(4,300)
	4-pt. supported	34,500* (34,500*)	22,400* (22,400*)	15,800 (17,300*)	11,200 (14,500*)	8,500 (11,600)	6,700 (9,200)
5	non supported		(14,000)	(9,400)	(6,800)	(5,200)	(4,100)
	4-pt. supported		23,900 (27,500*)	15,100 (19,800*)	10,900 (14,900)	8,300 (11,400)	6,700 (8,900)
0	non supported		(13,100)	(8,900)	(6,500)	(5,200)	(4,100)
	4-pt. supported		22,800 (23,300*)	14,700 (20,800)	10,500 (14,700)	8,100 (11,200)	6,700 (8,900)
-5	non supported		(12,700)	(8,700)	(6,500)	(5,000)	
	4-pt. supported		19,800* (19,800*)	14,200 (20,400)	10,500 (14,500)	8,100 (11,200)	
-10	non supported						
	4-pt. supported						

Values are valid for working diagram on page 3.

REMARKS

The values are stated in tons (t) or lbs. The pump pressure for this table is 360 bar (5220 psi). The values amount to 75 % of the static tipping load or 87 % of the hydraulic lifting force (marked *), in accordance with ISO 10567. When the machine is standing on solid and level ground, these values apply to slewing operations through 360°. The values in brackets apply in the lengthwise direction of the undercarriage. The values specified "non-supported" only apply when the load is hoisted

above the front or rear axle. The weight of the attached load hoisting implement (grab, magnet, load hook, etc.) must be deducted from the carrying capacity values. If the FUCHS-TEREX quick-attach system is mounted on the boom, carrying capacity values are reduced by 300 kg (661lbs). In accordance with EC guidelines, hose-rupture safety valves on the lift cylinders and an overload warning device are required for load hook operations.